



PROJESAN



HOSPITAL
BEDS

PATIENT
STRETCHERS

TROLLEYS

CABINETS
LOCKERS

Product Catalogue
www.projesan.com.tr



HOSPITAL WARDS

Electrical Hospital Beds
Mechanical Hospital Beds
Pediatric Beds and Baby Cotes
Bedside Cabinets and Overbed Tables
Wardrobes
Sofa Beds
Mattresses
Beam Seating



PS-NEB01

Electrical Intensive Care Bed, Four Motors



Specifications

Backrest, footrest, trendelenburg, reverse trendelenburg and height adjustments by hand control unit
 Auto contour
 Lockable hand control unit
 Siderail embeded control panels (optional)
 Retracting backrest and footrest
 Manuel adjustment of footrest for V position
 Easily detachable PP head and foot boards
 Removable ABS bed platform
 Fold down PP siderails with gas spring
 Central and directional lockable castors
 Electrostatic powder coated metal structure
 4 plastic bumpers in the four corners of the bed
 IV sockets in the four corners of the bed
 Angle indicator for backrest and trendelenburg

Technical Data

Backrest angle: 0-70°
 Footrest angle: 0-34°
 Trend-revs. Trend: 0-16°
 Height: 44-82 cm
 Length: 220 cm
 Width: 100 cm
 Castor diameter: 15 cm
 Bed weight: 155 kg
 Safe working load: 230 kg
 Mattress Size: 86x195 cm
 Under bed clearance: 15 cm

Electrical Data

Power In: 1.5A max. At 230V AC 50-60 Hz
 Electricasl shock Protection: Class I, Type B
 Liquid Ingress Protection: IPX4- IPX6

PS-NEB02

Electrical Patient Bed, Three Motors



Specifications

Backrest, footrest and height adjustments by hand control unit
Auto contour
Backrest angle indicator
Retracting backrest and legrest
Manual adjustment of footrest for V position
Easily detachable PP head and foot boards
Removable ABS bed platform
Fold down PP siderails with gas spring
Four lockable castors
Electrostatic powder coated metal structure
ABS plastic covered lower chassis
4 plastic bumpers in the corners of the bed
IV sockets in the four castors of the bed
Angle indicator for backrest

Technical Data

Backrest angle: 0-70°
Footrest angle: 0-34°
Height: 44-76 cm
Length: 220 cm
Width: 100 cm
Castor diameter: 12.5 cm
Bed weight: 135 kg
Safe working load: 230 kg
Mattress Size: 86x195cm
Underbed clearance: 12 cm

Electrical Data

Power In: 1.5A max. At 230V AC 50-60 Hz
Electrical shock Protection: Class I, Type B
Liquid Ingress Protection: IPX4- IPX6

PS-NEB03

Electrical Patient Bed, Two Motors



Specifications

Backrest, footrest adjustments by hand control unit
 Auto contour
 Backrest angle indicator
 Retracting backrest and legrest.
 Manual adjustment of footrest for V position
 Easily detachable PP head and foot boards
 Removable ABS bed platform
 Fold down PP siderails with gas spring
 Four swivel castors two of them lockable
 Electrostatic powder coated metal structure
 4 plastic bumpers in the corners of the bed
 IV sockets in the four castors of the bed
 Angle indicator for backrest

Technical Data

Backrest angle: 0-70°
 Footrest angle: 0-34°
 Length: 220 cm
 Width: 100 cm
 Height: 50 cm
 Castor diameter: 12.5 cm
 Bed weight: 110 kg
 Safe working load: 230 kg
 Underbed clearance: 15 cm

Electrical Data

Power In: 1.5A max. At 230V AC 50-60 Hz
 Electrical shock Protection: Class I, Type B
 Liquid Ingress Protection: IPX4- IPX6



Specifications

Backrest, footrest, trendelenburg, reverse trendelenburg and height adjustments by hand control unit
 Function lock
 Auto contour
 Auto regression of backrest and footrest for maximum comfort of patient
 Manual adjustment of footrest for V position.
 Easily detachable compact laminant head and foot boards with aluminium frame
 Removable ABS bed platform
 Fold down aluminium siderails with gas spring
 Four centrally lockable castors with directional lock
 Electrostatic powder coated metal structure
 Four revolving corner bumpers
 IV sockets in the four castors of the bed
 Angle indicator for backrest and trendelenburg

Technical Data

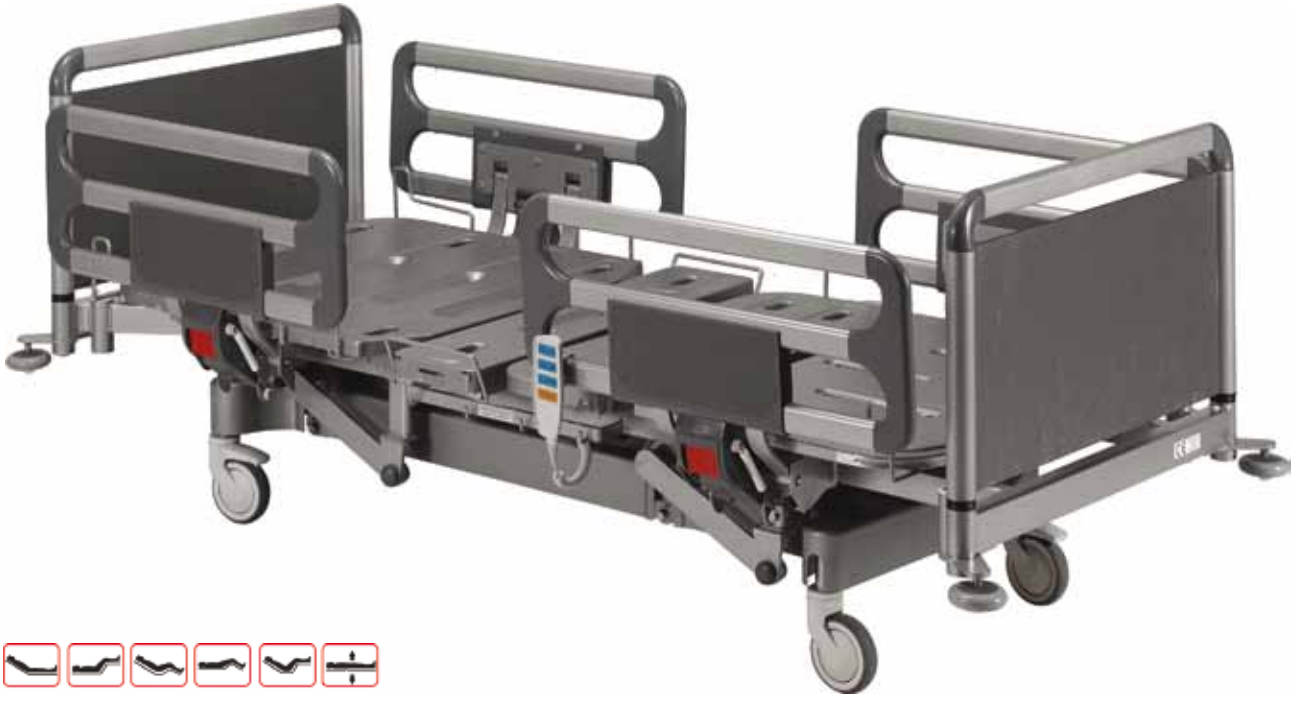
Backrest angle: 0-70°
 Footrest angle: 0-34°
 Trend-revs. Trend: 0-16°
 Height: 46-84 cm
 Length: 225 cm
 Width: 100 cm
 Castor Diameter: 15 cm
 Weight: 155kg
 Safe working load: 230 kg
 Mattress Size: 86x200 cm
 Underbed clearance: 15 cm

Electrical Data

Power In: 1.5A max. At 230V AC 50-60 Hz
 Electrical shock Protection: Class I, Type B
 Liquid Ingress Protection: IPX4- IPX6

PS-NEB06

Electrical Patient Bed, Three Motors



Specifications

Backrest, footrest, and height adjustments by hand control unit
 Auto contour
 Auto regression of backrest and footrest for maximum comfort of patient
 Manuel adjustment of footrest for V position
 Easily detachable compact laminant head and foot boards with aluminium frame
 Removable ABS bed platform
 Fold down aluminium siderails with gas spring
 Four castors two of them lockable
 Electrostatic powder coated metal structure
 Four revolving corner bumpers
 IV sockets in the four cators of the bed
 Angle indicator for backrest

Technical Data

Backrest angle: 0-70°
 Footrest angle: 0-34°
 Height: 44-76 cm
 Length: 225 cm
 Width: 100 cm
 Castor Diameter: 12.5 cm
 Weight: 135kg
 Safe working load: 230 kg
 Mattress Size: 86x200 cm
 Underbed clearance: 12 cm

Electrical Data

Power In: 1.5A max. At 230V AC 50-60 Hz
 Electrical shock Protection: Class I, Type B
 Liquid Ingress Protection: IPX4- IPX6



Specifications

Backrest and footrest adjustments by hand control unit
Auto contour
Auto regression of backrest and footrest for maximum comfort of patient
Manual adjustment of footrest for V position.
Easily detachable compact laminant head and foot boards with aluminium frame
Removable ABS bed platform.
Fold down aluminium siderails with gas spring.
Four castors two of them lockable
Electrostatic powder coated metal structure.
Four revolving corner bumpers
IV sockets in the four castors of the bed
Angle indicator for backrest

Technical Data

Backrest angle: 0-70°
Footrest angle: 0-34°
Length: 225 cm
Width: 100 cm
Castor Diameter: 12.5 cm
Weight: 110kg
Safe working load: 230 kg
Mattress Size: 86x200 cm
Underbed clearance: 15 cm

Electrical Data

Power In: 1.5A max. At 230V AC 50-60 Hz
Electrical shock Protection: Class I, Type B
Liquid Ingress Protection: IPX4- IPX6

PS-MMB01

Mechanical Patient Bed



Specifications

Four section bed platform made of epoxy coated
 Mechanical adjustment of backrest, footrest, trendelenburg, revers-trendelenburg and height
 Fold down side rails
 IV pole sockets in four corners of the bed
 Easily removable Polyp head & foot boards
 125 mm diameter swivel lockable castors
 Protective corner bumpers

Technical Data

Backrest angle: 0°-80°
 Footrest angle. 0°-45°
 Trend-Revs- Trend: 0°-11°
 Height: 46-76 cm
 Length: 206 cm
 Width: 96 cm
 Weight: 95kg
 SafeWorking Load: 180 kg
 Mattress Size: 86x185 cm
 Underbed clearance: 15 cm

PS-MMB02

Mechanical Patient Bed



Specifications

Four section bed platform made of epoxy coated
 Mechanical adjustment of back & footrest
 Trendelenburg adjustment by gas spring
 Fold down side rails
 IV pole sockets in four corners of the bed
 Easily removable Polyp head & foot boards
 125 mm diameter swivel lockable castors
 Protective corner bumpers

Technical Data

Backrest angle: 0°-80°
 Footrest angle. 0°-45°
 Trend: 0°-12°
 Height: 50 cm
 Length: 206 cm
 Width: 96 cm
 Weight: 85 kg
 SafeWorking Load: 180 kg
 Mattress Size: 86x185 cm
 Underbed clearance: 15 cm

PS-MB04

Bed with Two Drawers



Specifications

Epoxy coated steel structure
Two drawers
Demontable

Technical Data

Mattress size: 90*190 cm
Package size: 25x95x195 cm

Specifications

Epoxy coated steel structure
Demontable

Technical Data

Mattress size: 90*190 cm
Height: 187 cm
Package size : 16x96x196 cm



PS-MB05

Bunk Bed

PS-MB06

Folding Bed with Adjustable Backrest



Specifications

Epoxy coated steel structure
Demontable

Technical Data

Mattress size: 90*190 cm
Height: 187 cm
Package size : 16x96x196 cm

Specifications

Epoxy coated steel structure
Foldable bed

Technical Data

Size: 90x190 cm
Package size : 8x96x196 cm



PS-MB07

Folding Bed

PS-MB08

Folding Bed



Specifications

Epoxy coated steel structure
Foldable bed
Comes with 10 cm mattress

Technical Data

Size: 90x190 cm
Package size : 35x92x89 cm

PS-PB07*Electrical Pediatric Bed***Technical Specifications**

Backrest and legrest adjustments by hand control unit
 Auto contour
 Removable PP head and foot boards
 Lockable and tuck away PP side rails
 Electrostatic powder coated metal frame
 Height adjustable stainless steel IV pole
 Easy adjustable knee break position
 Plastic crash bumpers
 Trendelenburg position (Optional)

Technical Data

Height Range: 52 cm
 Backrest Angle: 70°
 Legrest Angle (Max.): 38°
 Under Bed Clearance : 17 cm
 Overall Length : 185.5 cm
 Width : 93 cm
 Castor Diameter: 12.5 cm
 Product Weight: 90 kg
 Safe Working Load: 180 kg

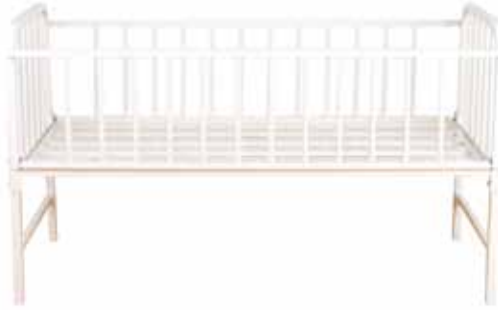
**PS-PB08***Mechanical Pediatric Bed***Technical Specifications**

Mechanical adjustment of backrest and legrest
 Lockable and tuck away side rails
 Removable head and foot boards
 Two lockable castors
 Electrostatic powder coated metal frame
 Height adjustable stainless steel IV pole
 Easy adjustable knee break position
 Plastic crash bumpers

Technical Data

Height Range: 52 cm
 Backrest Angle: 80°
 Legrest Angle (Max.): 40°
 Under Bed Clearance : 16 cm
 Overall Length : 182 cm
 Width : 89.5 cm
 Castor Diameter: 12.5 cm
 Product Weight: 85 kg
 Safe Working Load: 180 kg



PS-PB01*Pedicatric Bed***Technical Specifications**

Epoxy coated steel
Demontable model (space saving package)

Technical Data

Size: 74x146x78cm
Mattress size: 70x140x15 cm

PS-PB02*Pedicatric Bed***Technical Specifications**

Epoxy coated steel
IV pole holder in bed corner
Companion bed on castors
Cabinet with one drawer and cupboard

Technical Data

Size: 195x75 cm
Mattress size: 140x70x15 cm

PS-PB05*Pediatric Bed with Backrest Adjustment***Technical Specifications**

Epoxy coated steel structure
Easily operatable protective siderails
Mechanical adjustment of backrest

Technical Data

Size: 70*170*115 cm
Weight: 25 kg

PS-PB03*Baby Cote with Cupboard***Technical Specifications**

Epoxy coated steel
Plexy glass crib
Four swivel castors
Synthetic leather covered mattress
Cupboard with two doors and one shelf

Technical Data

Size: 47x77x90 cm

**PS-PB04***Baby Cote***Technical Specifications**

Epoxy coated steel
Plexy glass crib
Four swivel castors
Synthetic leather covered mattress

Technical Data

Size: 46x76x93 cm

**PS-PB06***Baby Cote***Technical Specifications**

Epoxy coated steel
Plexy glass crib
Four swivel castors
Synthetic leather covered mattress

Technical Data

Size: 45*75*90 cm



PS-BC01

Bedside Cabinet

**Specifications**

Laminate top resistant to water and heat
 Drawer and cabinet door
 Epoxy coated steel structure
 Lockable castors

Size: 40x45x80 cm

PS-MBC04

Bedside Cabinet

**Specifications**

Laminate top
 Epoxy coated steel structure
 One drawer and one cupboard
 Lockable castors

Size: 40x45x80 cm

PS-MBC02

Bedside Cabinet

**Specifications**

Laminate top resistant to water and heat
 Supplied with two drawers
 Lockable castors

Size: 43x49x77 cm

PS-MBC03

Bedside Cabinet

**Specifications**

ABS plastic top
 Drawer and cabinet door
 Lockable castors,
 Fridge (35 L)

Size: 52x48x82 cm

PS-MBC05

Bedside Cabinet

**Specifications**

Wooden structure
 One drawer and one cupboard
 Lockable castors

Size: 45x60x90 cm

PS-BC02

Bedside Cabinet with Overbed Table



Specifications

Laminate top resistant to water and heat
Drawer and cabinet door & height adjustable overbed table
Epoxy coated steel structure
Lockable castors

Size: 50x40x80cm
Table height: 85-110cm

PS-MBC06

Bedside Cabinet with Overbed Table



Specifications

Laminate top resistant to water and heat
Drawer and cabinet door & height adjustable overbed table
Epoxy coated steel structure
Lockable castors

Size: 42x45x90cm

PS-MBC01

Overbed Table



Specifications

ABS plastic top
Height adjustment by gas spring
Lockable castors
Epoxy coated steel structure

Size: 42x80x79-104cm

PS-MBC08

Overbed Table



Specifications

Compact Laminate Top
Height adjustment by gas spring
Epoxy coated steel parts
Lockable castors

Size: 40x76x79-104 cm

PS-MBC07

Overbed Table



Specifications

Laminate Top
Height adjustment by gas spring
Epoxy coated steel parts
Lockable castors

Size: 40x80x79-104 cm

PS-FM01

Foam Mattress



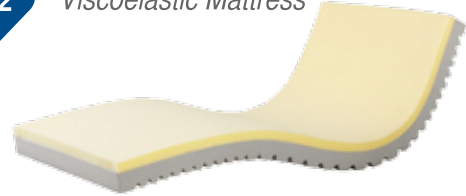
Specifications

Grey PU foam
Designed with air passages to reduce perspiration
The design allows easy adjustment with the beds movement
Covered with anti- bacterial, water resistant, removable and wash-able cover

Size: 90x190x14cm
Density: 32kg/m3

PS-FM02

Viscoelastic Mattress



Specifications

Supplied with visco layer that adjusts to the body shape to provide max. Comfort
Designed with air passages to reduce perspiration
The design allows easy adjustment with the beds movement
Covered with anti- bacterial, water resistant, removable and washable cover

Size: 90x190x14cm
Density: 32kg/m3 + 65kg/m3 Visco

PS-WR01

Wardrobe, Double



Specifications

Lockable Doors
One shelf

Size: 80x55x190 cm

PS-WR02

Wardrobe, Single



Specifications

Lockable Doors
One shelf

Size: 40x55x190 cm

PS-CS01

Patient Room Recliner



Technical Specifications

Synthetic leather covered seat
Solid steel structure
Can be supplied in the color of your choice
Becomes a bed easily and smoothly

Sitting Position

- Width : 75 cm
- Length : 75 cm

Bed Position

- Width : 75 cm
- Length : 75 cm

PS-CS02

Companion Seat



Technical Specifications

Synthetic leather covered seat
Solid steel structure
Can be supplied in the color of your choice
Becomes a bed easily and smoothly

Sitting Position

- Width : 75 cm
- Length : 88 cm

Bed Position

- Width : 75 cm
- Length : 197 cm

PS-CS03

Sleeper Chair



Technical Specifications

Fabric covered seat with wooden sides
Provided with removable washable cover
Becomes a bed easily and smoothly

Sitting Position

75x105x85 cm

Bed Position

62x185 cm



PS-CS04

Hospital Sofa Bed



Technical Specifications

Synthetic leather covered seat
Becomes a bed easily and smoothly

Sitting Position

95x107x85 cm

Bed Position

64x185 cm



PS-CS05

Hospital Sofa Bed



Technical Specifications

Electrostatic painted metal construction
Synthetic leather and upholstery cover options available in different colors
Converted to bed easily and smoothly

Sitting Position

94x100x80 cm

Bed Position

70x190 cm



PS-CS06

Sofa Bed, Double Seater



Technical Specifications

Textile covered top, removable and washable
Becomes bed easily

Sofa Size: 175x76 cm

Bed size: 205x76 cm

Pack Size: 80x213x32 cm



PS-WS01

Beam Seating**Specifications**

Epoxy coated steel structure
Synthetic leather covered seat

Size: 57x165x88 cm (Three Seats) PS-WS01
Size: 57x110x88 cm (Two Seats) PS-WS02
Size: 57x130x88 cm (Two Seats With Table) PS-WS03
Size: 57x60x58 cm (Single Seat) PS-WS04



PS-WSM01

Beam Seating**Specifications**

Epoxy coated steel structure
Synthetic leather covered seat

Size: 65x105x90 cm (Two Seats) PS-WSM01
Size: 65x157x90 cm (Three Seats) PS-WSM03

PS-WSM04

Beam Seating**Specifications**

Epoxy coated steel structure

Size: 65x50x90 cm (Single Seat) PS-WSM05
Size: 65x105x90 cm (Two Seats) PS-WSM02
Size: 65x157x90 cm (Three Seats) PS-WSM04



PS-WSB02

Beam Seating**Specifications**

Epoxy coated steel structure
Synthetic leather covered seat

Size: 57x149x77 cm (Two Seats) PS-WSB02
Size: 57x157x77 cm (Two Seats With Table) PS-WSB03
Size: 57x100x77 cm (Three Seats) PS-WSB01



PROJESAN İHTİSAS MOBİLYASI İÇ ve DIŞ TİC. LTD. ŞTİ

Cumhuriyet Mahallesi, Millet Caddesi Bakkalođlu İş Merkezi Kat:3 No:305
Melikgazi / Kayseri TURKEY
Tel : +90 352 221 45 17 / +90 507 588 08 10
E-mail : info@projesan.com.tr - export@projesan.com.tr
www.projesan.com.tr



KOSGEB

www.kosgeb.gov.tr

01.02.2015 Tarihinde
İstanbul Ofset Tarafından
2000 adet basılmıştır.